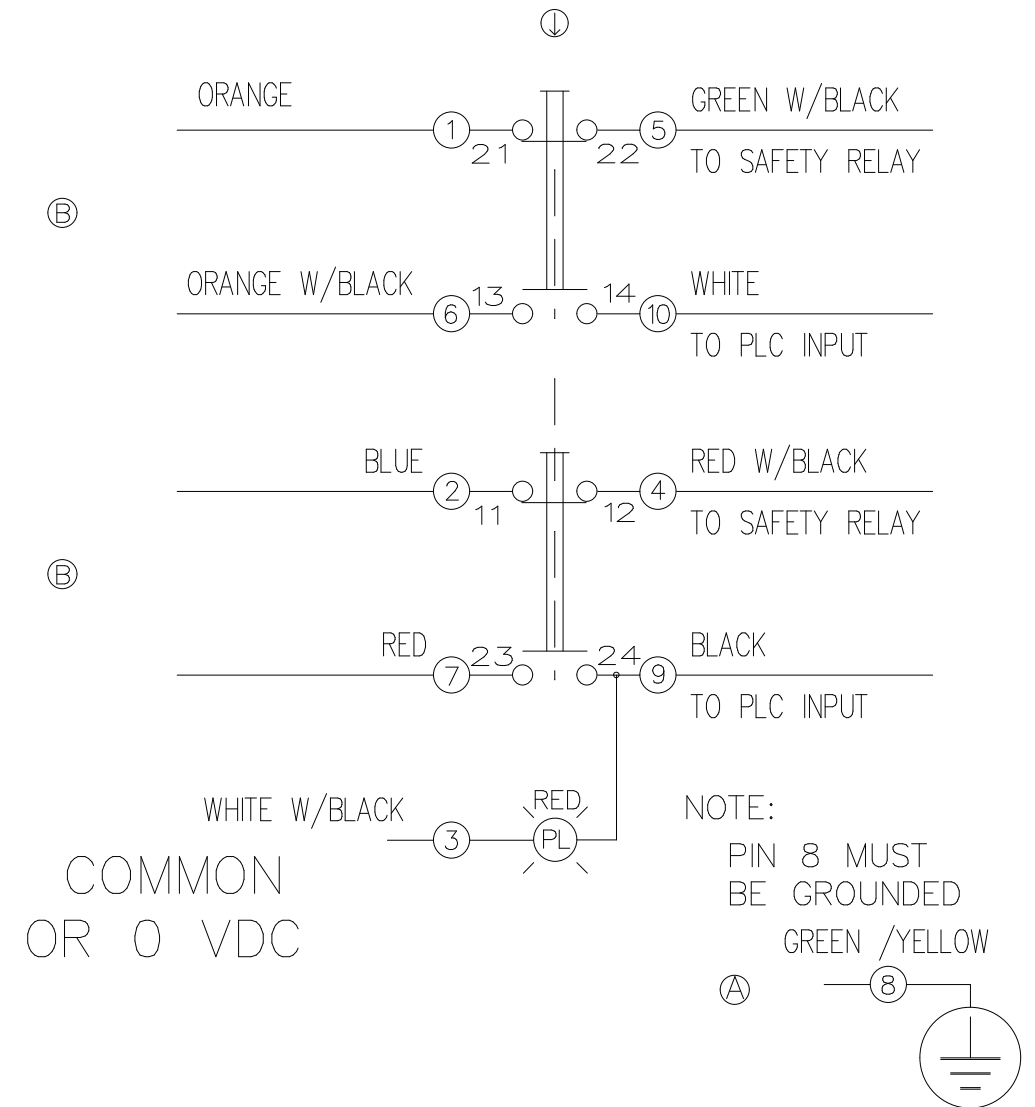


# CABLE PULL SWITCH WIRING

## 10 PIN MINI-CHANGE CONNECTOR



REVISIONS  
9-26-00 GLH INITIAL RELEASE  
A WAS GREEN WIRE JWH 2/5/2009 ECN #9008  
B REMOVE PRIM/SEC GH 1/29/2016 ECN #16003

|  |                 |                      |               |
|--|-----------------|----------------------|---------------|
| <b>REES, INC.</b>  |                 |                      |               |
| PO BOX 652, FREMONT, IN 46737  |                 |                      |               |
| WIRING DIAGRAM, 04962  |                 |                      |               |
| MATERIAL   |                 | SEE ABOVE            |               |
| TOLERANCES UNLESS OTHERWISE SPECIFIED<br>.XX = +/- .01<br>.XXX = +/- .005<br>ANGLES = +/- 1° | DRN BY<br>GLH   | PART NO<br>04962-101 |               |
|  | DATE<br>9-26-00 | DWG NO<br>B 04962    |               |
|  | CHK'D BY        | SCALE                | SHT NO<br>101 |